
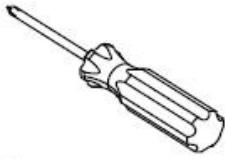

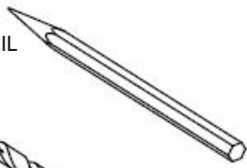

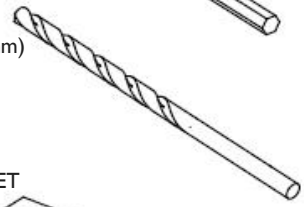

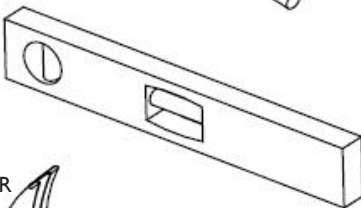

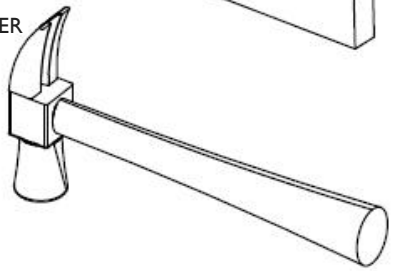

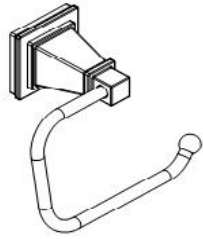


| ITEMS INCLUDED | | TOOLS REQUIRED | |
|-------------------------|---|-----------------------|---|
| DRY WALL ANCHOR |  X 2 | PHILLIPS SCREW DRIVER |  |
| TILE ANCHOR |  X 2 | PEN / PENCIL |  |
| #8 SCREW |  X 2 | 1/4" (6mm) DRILL |  |
| MOUNTING BRACKET |  X 1 | LEVEL SET |  |
| M6 X 1 SET SCREW |  X 1 | HAMMER |  |
| 3MM ALLOY STEEL HEX KEY |  X 1 | | |
| HANGING TT HOLDER |  X 1 | | |

INSTALLATION INSTRUCTIONS

43-27

HANGING TT HOLDER

NEWPORT BRASS
 Flawless Beauty. From Faucet to Finish.™

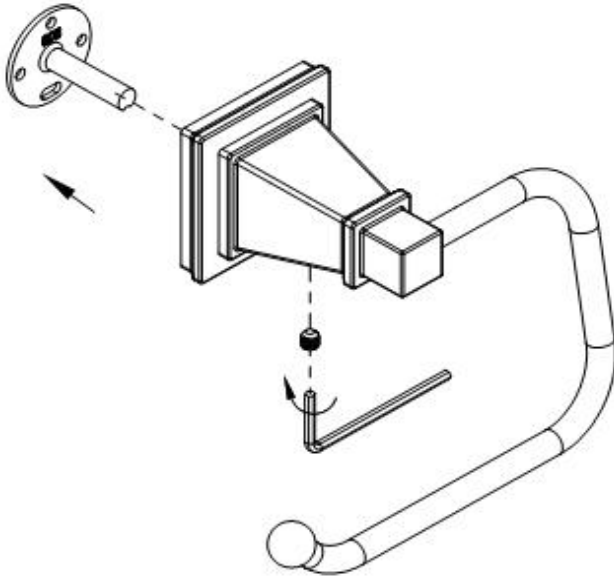
2001 CARNEGIE AVE, SANTA ANA CA 92705

(949) 417-5207

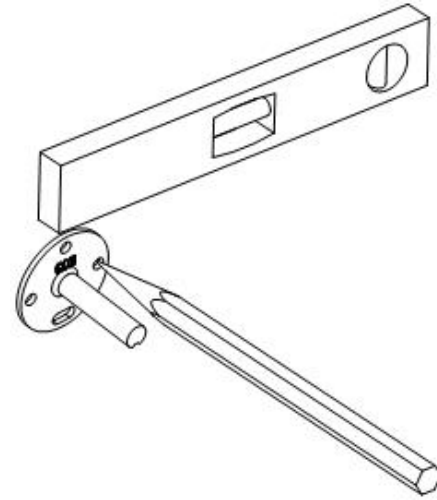
(949) 417-5207

WWW.NEWPORTBRASS.COM

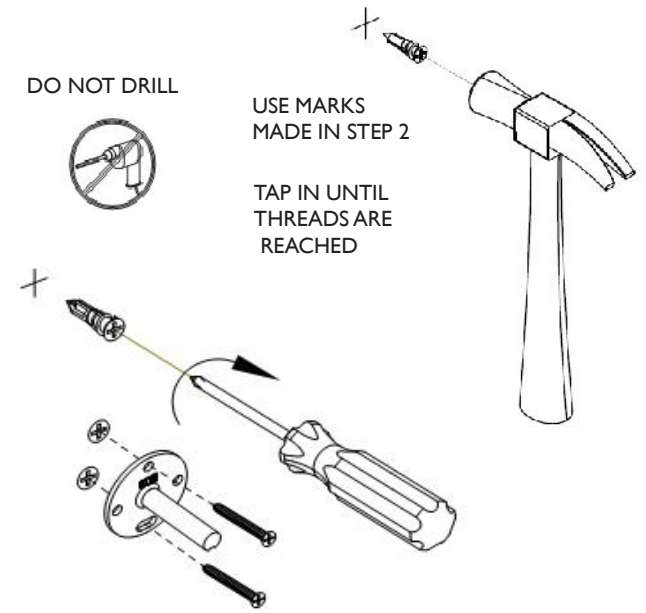
① REMOVE MOUNTING BRACKET



② ALIGN MOUNTING BRACKET AND MOUNT LOCATION



③ DRY WALL INSTALLATION



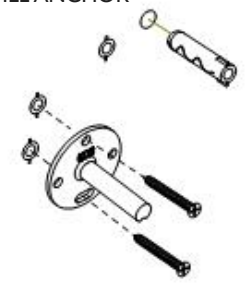
④ TILE OR SOLID WALL INSTALLATION

USE MARKS MADE IN STEP 2

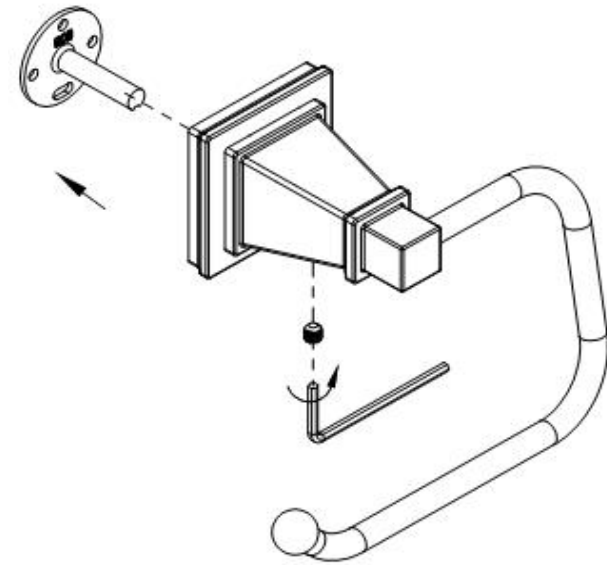


DRILL 1/4" (6mm)

INSERT TILE ANCHOR



⑤ INSTALL PRODUCT ONTO BRACKET



SECURE WITH SET SCREW